

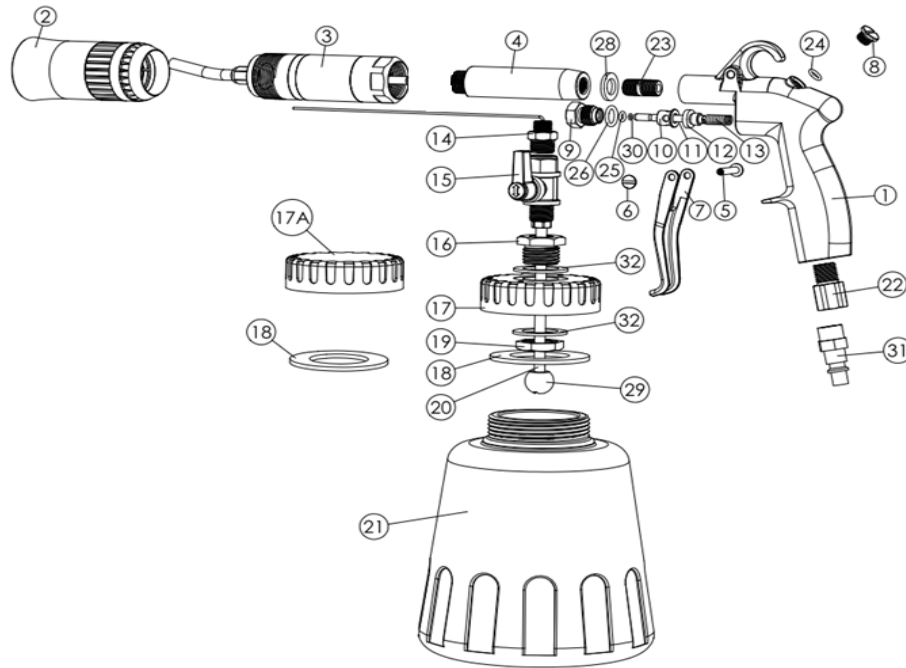


PROFESSIONAL TOOL



CYCLONE®

AZ2000A5N06 Turbo Cleaning Gun



Ref. No.	Part No.	Description	Q'ty /Tool	Ref. No.	Part No.	Description	Q'ty /Tool
1	SPZ010001A	Housing (cyclone/cartool)	1	19	SPZ010021	Nut	1
2	SPAZ2000A0N001	Plastic Nozzle Ass'y (L=98mm)	1	20	SPZ010022	Tube Ass'y(incl.part.no.29)	1
3	SPAZ2000A5N06	Rotate Set (M14*1.0P)	1set	21	SPZ010023A	Cup(NEW)	1
4	SPZ010006	Hose M14*1.0P	1	22	SPZ010024A	Air Inlet (1/4"PF)	1
5	SPZ010007A	Pin	1		SPZ010024B	Air Inlet (1/4"PT)	
6	SPZ010008A	Screw	1		SPZ010024C	Air Inlet (1/4"NPT)	
7	SPZ010009	Trigger	1	23	SPZ010025	Screw	1
8	SPZ010010	Screw	1	24	SPZ010026	O-Ring 4.47x1.78	1
9	SPZ010011	Screw	1	25	SPZ010027	O-Ring 3.5x1.5	1
10	SPZ010012	Bushing	1	26	SPZ010028	O-Ring 9x2	1
11	SPZ010013	Gasket	1	28	SPZ010030	Gasket	1
12	SPZ010014	Valve Stem	1	29	SPZ010032	Bushing	1
13	SPZ010015A	Spring	1	30	SPZ010031	O-Ring 2x1	1
14	SPAZ2000A5N003	Inner Tube Ass'y 0.86*1.66	1	31	CP-L14M	Air Nipple (EU TYPE)	1
15	SPZ010017	Air Reverse Switch Ass'y	1		CP-M14M	Air Nipple (US TYPE)	
16	SPZ010018	Screw	1		CP-N14M	Air Nipple (Asia TYPE)	
17	SPZ010019	Cap (W/Hole)	1	32	SPZ010033	Washer(stainless)	2
17A	SPZ010019A	Cap (W/O Hole)	1				
18	SPZ020014	Gasket	2				