



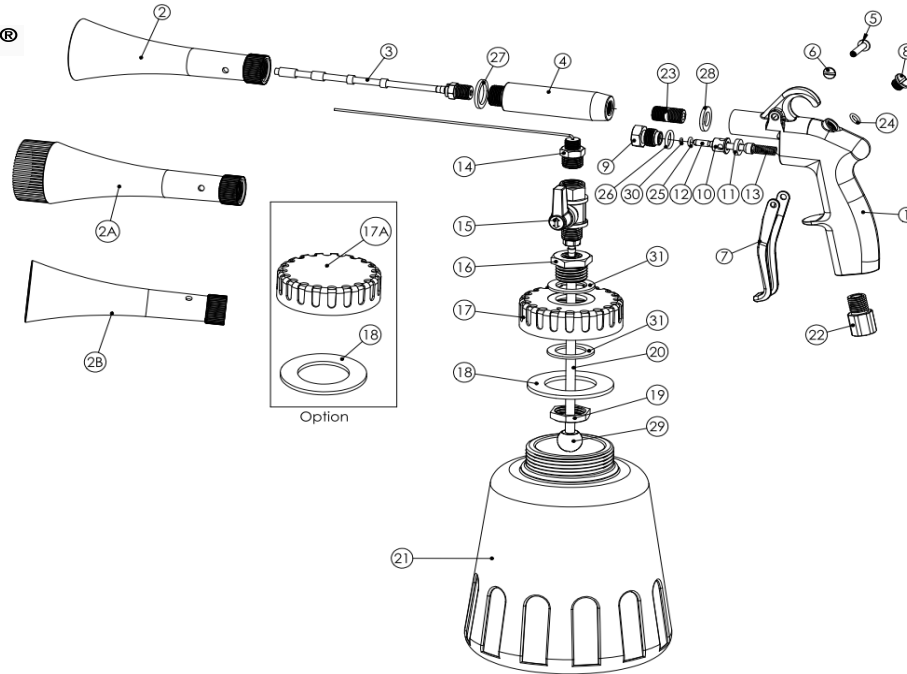
PROFESSIONAL TOOL



CYCLONE®

Z-010a Z-010aA Z-010aB

Pulse Spray Pneumatic Cleaning Gun



| Ref. No. | Part No. | Description | Q'ty /Tool | Ref. No. | Part No. | Description | Q'ty /Tool |
|----------|------------|------------------------------|------------|----------|------------|-----------------------------|------------|
| 1 | SPZ010001A | Housing (Cartool/Cyclone) | 1 | 17 | SPZ010019 | Cap (W/Hole) | 1 |
| 2 | SPZ010002A | Nozzle(White) | 1 | 17A | SPZ010019A | Cap (W/O Hole) (Option) | 1 |
| 2A | SPZ010002B | Nozzle (w/Brush)(Option) | | 18 | SPZ010020 | Gasket | 2 |
| 2B | SPZ010002C | Nozzle (w/Stainless)(Option) | | 19 | SPZ010021 | Nut | 1 |
| 3 | SPZ010005 | Weight Tube Ass'y | 1 | 20 | SPZ010022 | Tube Ass'y(incl.part.no.29) | 1 |
| 4 | SPZ010006 | Hose M14*1.0P | 1 | 21 | SPZ010023A | Cup(New) | 1 |
| 5 | SPZ010007A | Pin | 1 | 22 | SPZ010024A | Air Inlet (1/4"PF) | 1 |
| 6 | SPZ010008A | Screw | 1 | | SPZ010024B | Air Inlet (1/4"PT) | |
| 7 | SPZ010009 | Trigger | 1 | | SPZ010024C | Air Inlet (1/4"NPT) | |
| 8 | SPZ010010 | Screw | 1 | 23 | SPZ010025 | Screw | 1 |
| 9 | SPZ010011 | Screw | 1 | 24 | SPZ010026 | O-Ring 4.47x1.78 | 1 |
| 10 | SPZ010012 | Bushing | 1 | 25 | SPZ010027 | O-Ring 3.5x1.5 | 1 |
| 11 | SPZ010013 | Gasket | 1 | 26 | SPZ010028 | O-Ring 9x2 | 1 |
| 12 | SPZ010014 | Valve Stem | 1 | 27 | SPZ010029 | Gasket | 1 |
| 13 | SPZ010015A | Spring | 1 | 28 | SPZ010030 | Gasket | 1 |
| 14 | SPZ010016 | Inner Tube Ass'y 0.81*1.31 | 1 | 29 | SPZ010032 | Bushing | 1 |
| 15 | SPZ010017 | Air Reverse Switch Ass'y | 1 | 30 | SPZ010031 | O-Ring 2x1 | 1 |
| 16 | SPZ010018 | Screw | 1 | 31 | SPZ010033 | Washer (Stainless) | 2 |

File No. :Z-010

V14051