

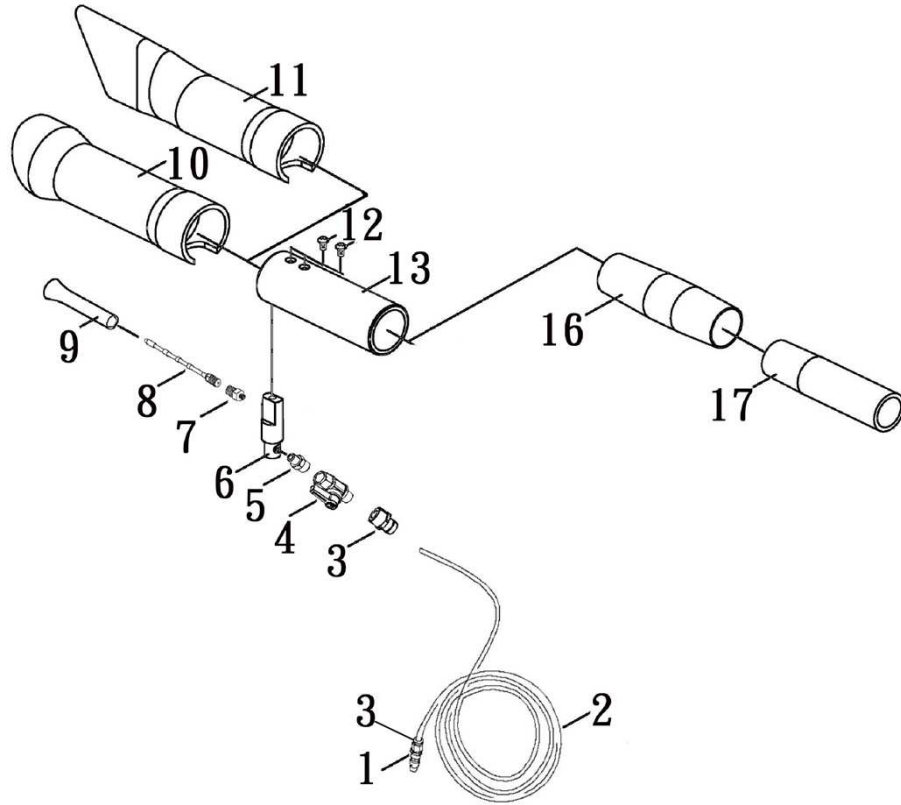


PROFESSIONAL TOOL



**CYCLONE**®

# Z-013N Cyclone- Vacuum-Cleaner



Ref. No.	Part No.	Description	Q'ty /Tool	Ref. No.	Part No.	Description	Q'ty /Tool
1	CP-N14M	Nipple (JP TYPE)	1	8	SPZ013016	Weighted Tube Ass'y	1
	CP-L14M	Nipple (EU TYPE)		9	SPZ013017	Nozzle (black)	1
	CP-M14M	Nipple (US TYPE)		10	SPZ013025	Casing Pipe-2 (black)	1
2	SPZ013N001	PU Tube 4*6*3M	1	11	SPZ013026	Casing Pipe-3 (black)	1
3	SPZ013N002	One-Touch Tube Fitting 4*6	2	12	SPZ013019	Screw	2
4	SPZ013N004	Air Reverse Switch Ass'y	1	13	SPZ013021	Vacuum Housing (black)	1
5	SPZ011014	Screw ID=5.0mm	1	16	SPZ013023	Connection (black)	1
6	SPZ023001	Valve Houshing (1/8PF)	1	17	SPZ013028	Center Vacuum Connection	1
7	SPZ023002	Screw 1/8PF (SUS304)	1				

File No. :Z-013N

V16121